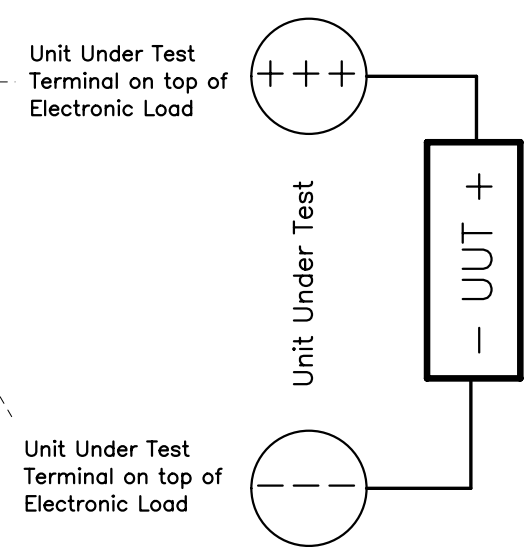
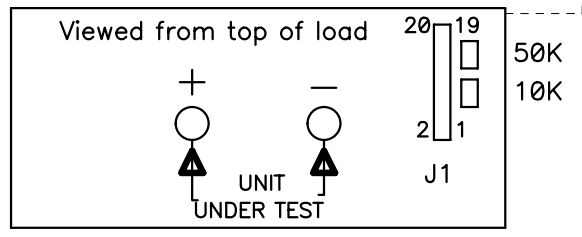


Connector shown from top view.
Pins shown as seen on electronic load.

Note J1 - Pin 2 and the (-) source under test are connected, never have current flowing through this path. All control signals should be connected to J1-pin 2. Only the source under test should be connected to the power test terminal (+) and (-).



This schematic will work with all EE301xx & EE151xx Electronic Load Models.

[Http://www.EXEC-ENG.com](http://www.EXEC-ENG.com)

Executive Engineering		
Title Constant Current for EE301xx & EE151xx		
Size A	Number Constant Current Operation	Rev 2
Date Fri Dec 30, 2005	Drawn by dw	
Filename cc-oper-ee301xx.SCH	Sheet 1 of 1	