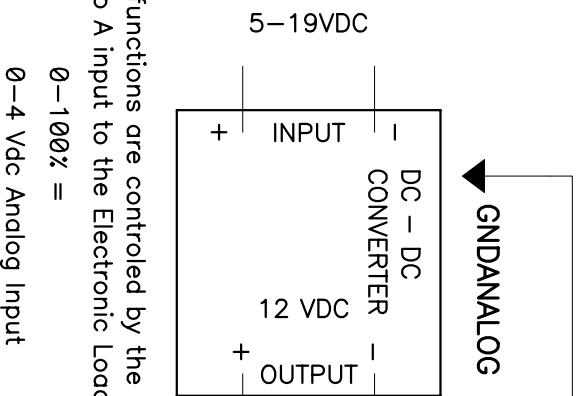


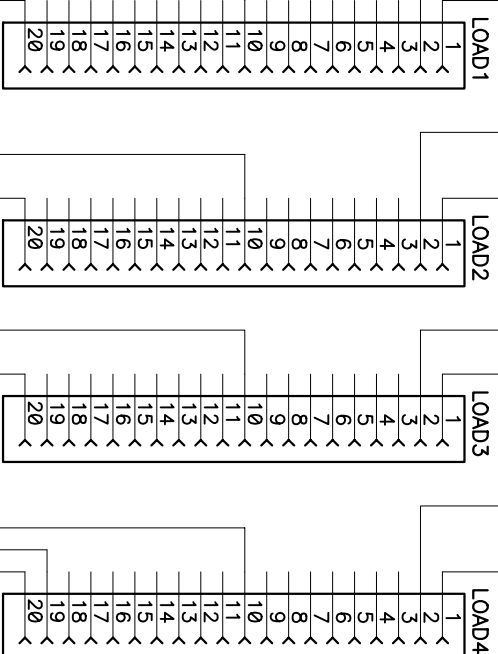
EE301xx / EE151xx  
Electronic Loads



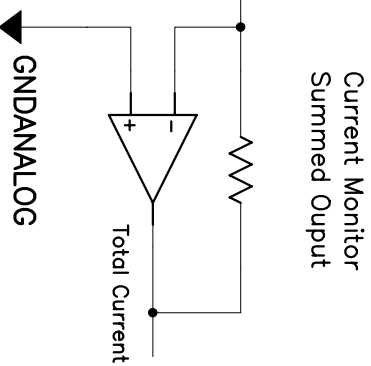
All functions are controlled by the D to A input to the Electronic Loads.

0-100% =

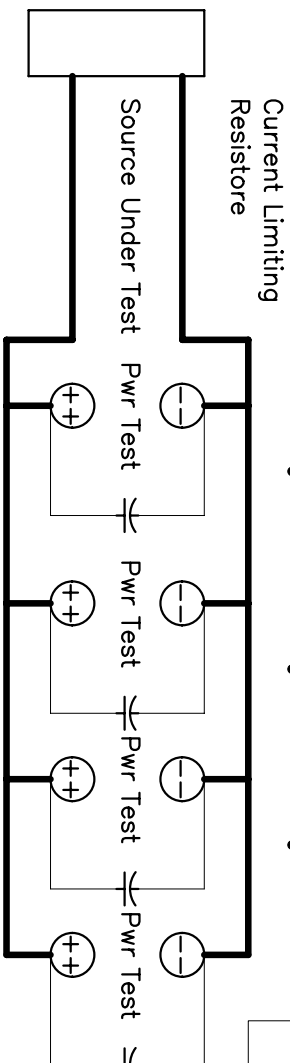
0-4 Vdc Analog Input



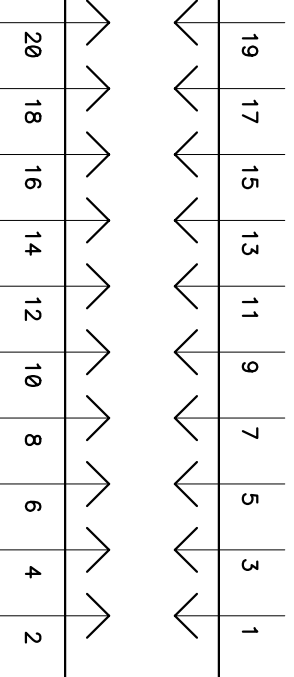
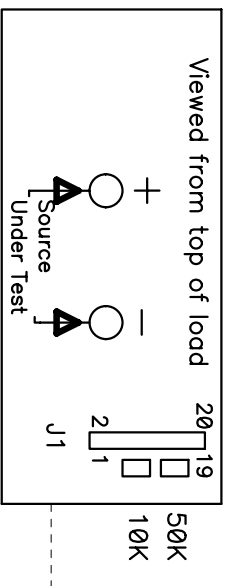
The current of each load is summed at the op-amp creating a total current for all electronic load.



0-100% Input Voltage / Voltage Monitor  
0-5 Vdc Output @ 10 ma Max.



Note J1 - Pin 2 and the (-) source under test are connected, never have current flowing through this path. All control signals should be connected to J1-pin 2. Only the source under test should be connected to the power test terminal (+) and (-).



[Http://www.EXEC-ENG.com](http://www.EXEC-ENG.com)

EXECUTIVE ENGINEERING

Title Constant Current D to A Control 4 Loads

Size	Number	Rev
A	D to A Control	A

Date	9-15-2004	Drawn by	D. WEBER
Filename	summing-amp.SCH	Sheet	1 of 1