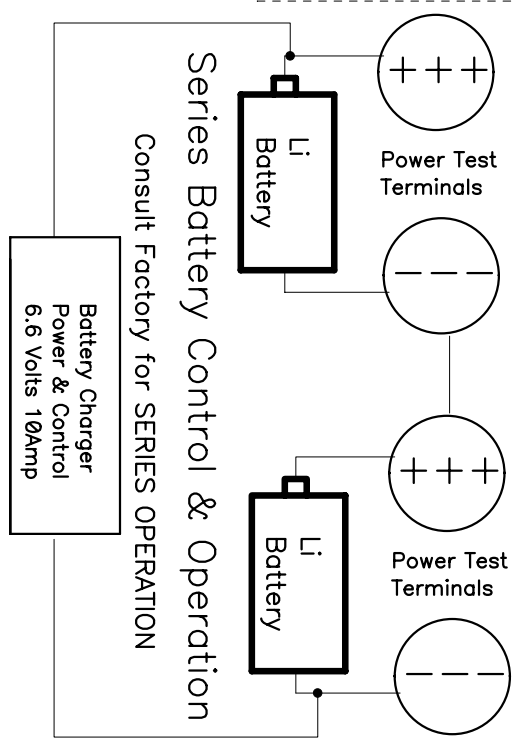
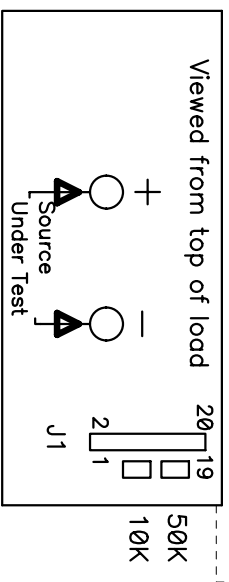


Connector shown from top view.  
Pins shown as seen on electronic load.

Note J1 - Pin 2 and the (-) source under test are connected, never have current flowing through this path. All control signals should be connected to J1-pin 2.  
Only the source under test should be connected to the power test terminal (+) and (-).



Note: ALL control and signals must be isolated from each other for series operation of electronic load.  
ALWAYS consult factory before doing any series operation project like this.

[Http://www.EXEC-ENG.com](http://www.EXEC-ENG.com)

### Executive Engineering

Title Series Battery Control for EE301xx & EE151xx

|      |                        |     |
|------|------------------------|-----|
| Size | Number                 | Rev |
| A    | 301/151 Battery Tester | 1   |

|          |                  |          |        |
|----------|------------------|----------|--------|
| Date     | Mon Sep 20, 2004 | Drawn by | dw     |
| Filename | ii-battery.SCH   | Sheet    | 1 of 1 |