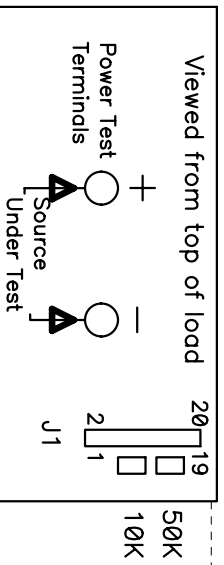
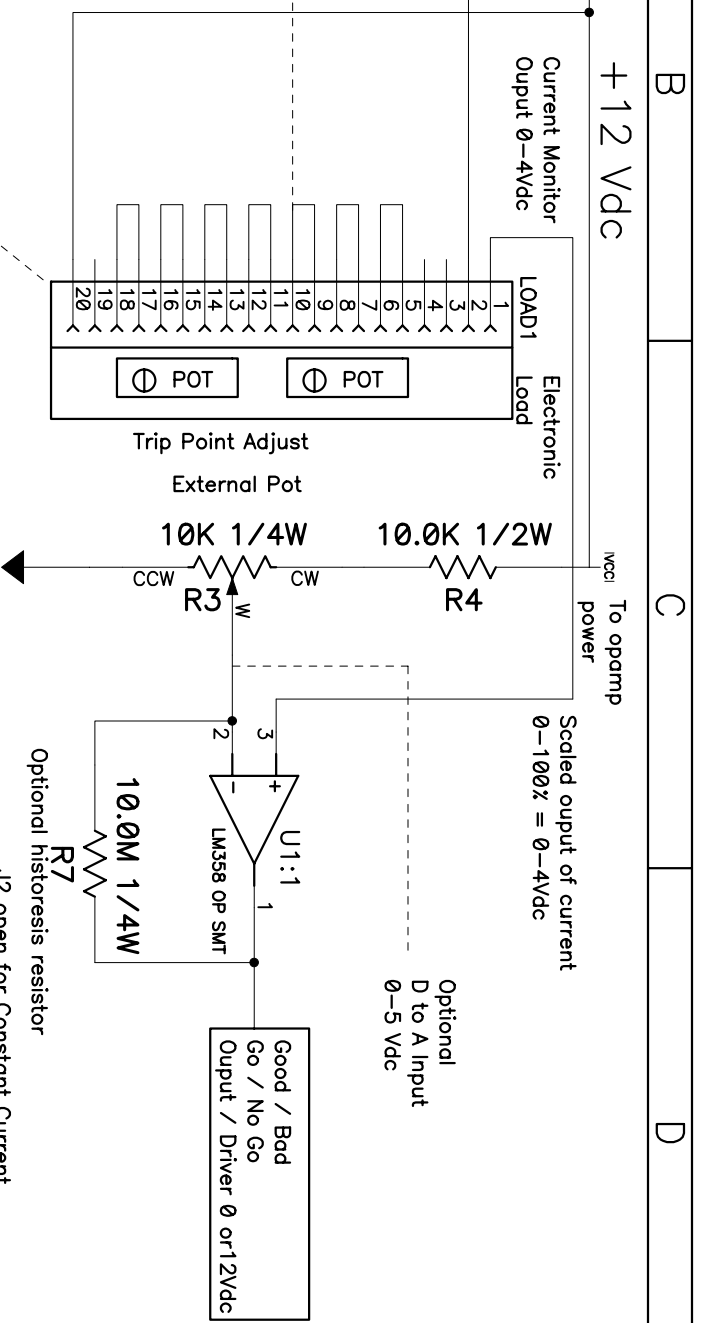


Connector shown from top view.
Pins shown as seen on electronic load.

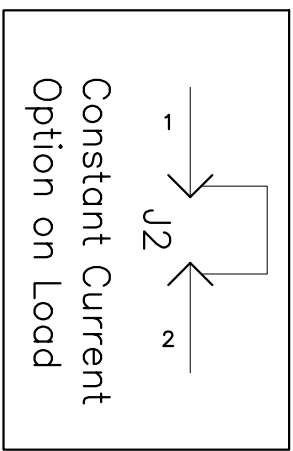
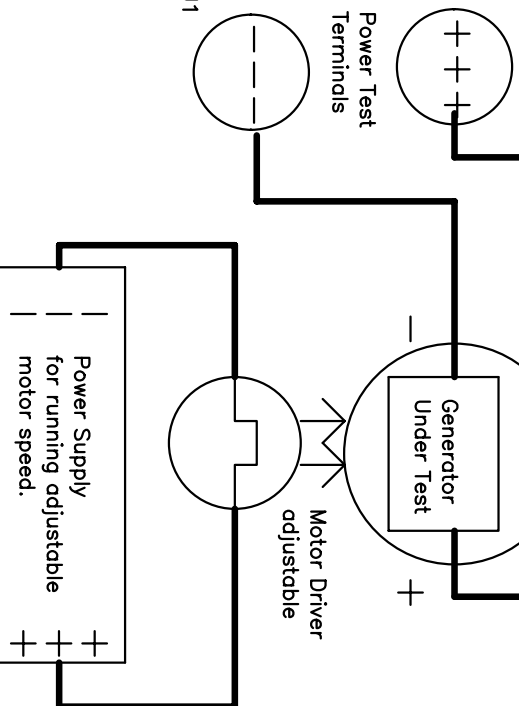
Note J1 - Pin 2 and the (-) source under test are connected, never have current flowing through this path. All control signals should be connected to J1-pin 2.
Only the source under test should be connected to the power test terminal (+) and (-).



4
A



#10 GA wire to reduce IR Drop
0.1 - 50.0 / 150 volts



[Http://www.EXEC-ENG.com](http://www.EXEC-ENG.com)

Executive Engineering

High Volume Generator Tester for Manufacturing
This is a go / no-go tester using a fixed source

Title Testing using constant current for generators

Size	Number	Rev
A	301/151 Series Loads	1
Date	Mon Sep 20, 2004	Drawn by dw
Filename generator.SCH	Sheet 1 of 1	

B

C

D

4