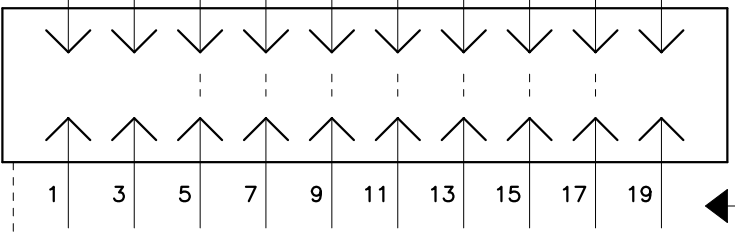


To opamp power
+12 Vdc @ 200ma
from bias power supply



Connector shown from top view.
Pins shown as seen on electronic load.

Note J1 - Pin 2 and the (-) source under test are connected, never have current flowing through this path. All control signals should be connected to J1-pin 2. Only the source under test should be connected to the power test terminal (+) and (-).

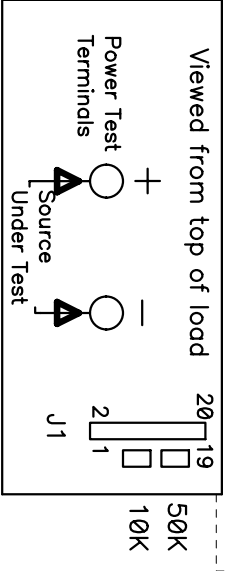
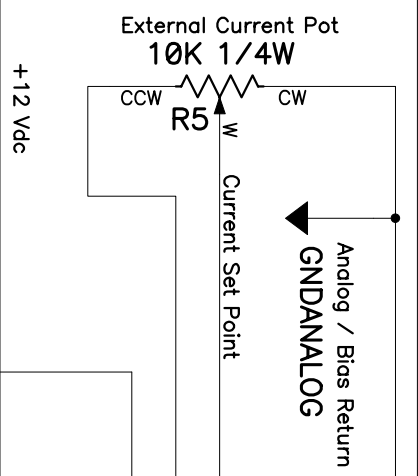
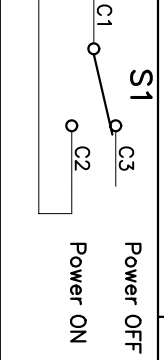
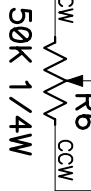


Chart Recorder
Current + Voltage

GNDANALOG

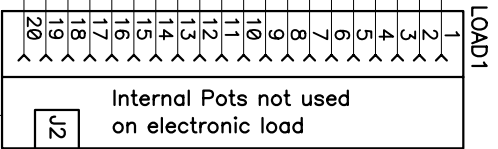


External Voltage Set Pot
0-50 Volts



Battery Voltage Turn (OFF / ON) set point of load

Current Monitor
Output 0-4Vdc



J2 Option Required

Open / Jumper

Theory: By running the fan with CC load the speed will never vary as voltage does.

Note:

R6 (voltage off) is set to limit where load will turn off at bottom voltage.

R5 (current sink) is set not to exceed wattage of electronic load or current limit.

[Http://www.EXEC-ENG.com](http://www.EXEC-ENG.com)

Executive Engineering

Smooth Fan Speed as Voltage Varies

Title Fan Speed Smoothing

| | | |
|----------|------------------------|--------------|
| Size | Number | Rev |
| A | 301/151 Series Control | 1 |
| Date | Mon Sep 27, 2004 | Drawn by dw |
| Filename | Fan-CC:SCH | Sheet 1 of 1 |